

Standard Model

The flexible banding machine

- › *Fast and accurate*
- › *Easy to operate*
- › *Robust and reliable*
- › *Sustainability benefits*

Multi-Width option -
interchangeable
band widths



The Bandall Standard Model is the tried and trusted basis for our wide ranging, high tech fleet of industrial banding equipment. A staple in the world of bundling and packaging that continues to innovate and support you in adapting to your customers' needs.

Designed for reliability and longevity, and to use minimum packaging, it is altogether a sustainable choice with a fast ROI.

Bandall offers:

- › The **optional Multi-Width facility**, multiple band widths with each banding unit
- › **Consistently fast and reliable banding** made possible by the Bandall advanced vacuum transport technique
- › **Significant reductions in packaging** using the finest paper and film banding available
- › Guaranteed **product-friendly banding** creates stable bundles for transportation
- › The **hygienic Ultra Clean Seal (UCS) system** features in all Bandall equipment
- › **More and more savings** - low energy consumption and minimal maintenance - simply the banding machine with the lowest cost of ownership

Multi-functional banding

Bandall equipment processes a vast range of banding papers and films, from super fine to robust, as needed. Standard band widths are 28 mm, 40 mm, 48 mm, 60 mm, 75 mm, 100 mm and 125 mm. Alternative band widths are available upon request and multiple band widths per machine are optional.

The Bandall range includes options such as Stainless Steel, positioning of pre-printed banding, fully automatic solutions for seamless inline integration with, for example, counting and stacking, multiple and cross banding, Print & Band for variable data, and much more.

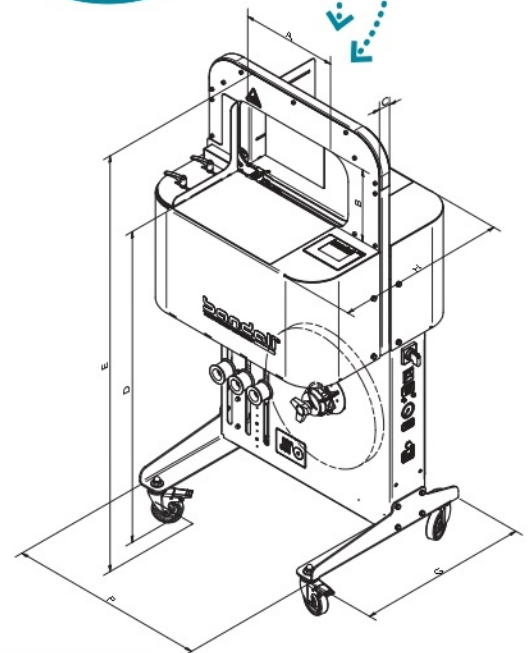


Solid performance

Bandall banding systems are built for simple and efficient operation. Recent developments include advances within the machine to further improve accessibility and reduce the number of consumable parts to almost zero. Confidently, the lowest cost of ownership.



NEW OPTION:
Easy click system
to change the
band width



The Standard Model offers:

- › **Easy implementation** into your production facility, simply wheel into place
- › **Automatic operation** via a sensor, a touchscreen or foot switch
- › Access to settings via a **touchscreen with pictograms**, no language skills required
- › **Operation from both sides**
- › **Options** such as positioning, variable data printing, bundle press, Multi-Width banding
- › Process **standard band widths**: 28 mm, 40 mm, 48 mm, 60 mm, 75 mm, 100 mm and 125 mm. **Alternative band widths** upon request
- › **Adjustable product guides**
- › **Castors with brakes**
- › Easy and accurate **selection of band tension**
- › A wide selection of **fully automatic models and bespoke solutions**
- › Expert sales and technical **support**

MACHINE TYPE	A Max. prod. width	B Max. prod. height	C Channel width	D Work height	E Total height	F Width	G Base depth	H* Depth	Weight KG	Bundles/ min.
BA24/15-30	240	150	30	956	1214	600	494	496	70	36
BA32/20-30	320	200	30	956	1264	600	494	496	70	34
BA40/25-30	400	250	30	956	1314	760	494	496	85	32
BA48/30-30	480	300	30	956	1364	760	494	496	85	30

* With a channel width of 50 mm, H is 520 mm. With a channel width of 77 mm, H is 547 mm.
With a channel width of 102 mm, H is 572 mm. With a channel width of 127mm, H is 597 mm.
127 mm is available only for the BA24 and BA32.
Sizes in mm.

Voltage	230V/115V
Frequency	50 HZ/60HZ
Required air pressure	Min 6 bar, max 10 bar.
Air consumption	max. 60 L./min.
Power	500 watt



bandall[®]
THE STANDARD IN BANDING

Bandall General Agency Switzerland

Blumer Maschinenbau AG

Brüel 11

8526 Oberneunfron

www.blumerag.com

Phone +41 44 847 65 65

info@blumerag.com

BLUMER
Winning Technology in Print Finishing
ΑΠΙΣΤΕΥΤΗ ΤΕΧΝΟΛΟΓΙΑ ΣΤΗ ΛΕΙΤΟΥΡΓΙΑ